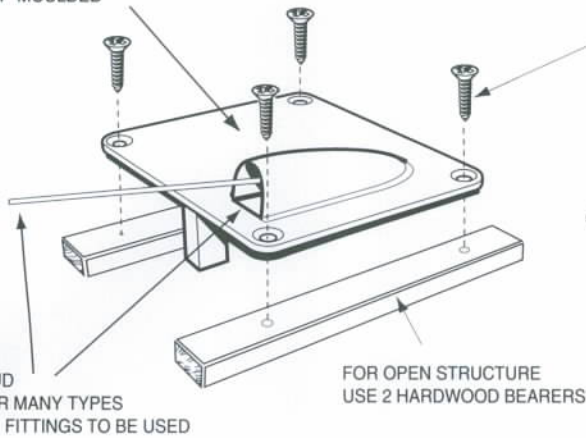


CA 210 WING SERVO MOUNT

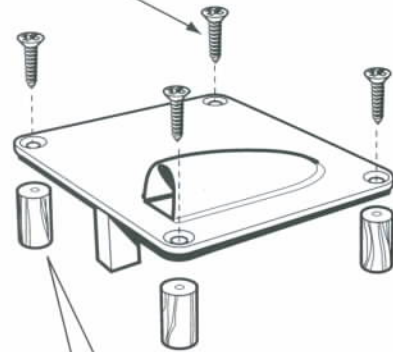
FOR OPEN STRUCTURES AND FOAM CORE WINGS

NYLON SERVO BRACKET
AND COVER
INTEGRALLY MOULDED

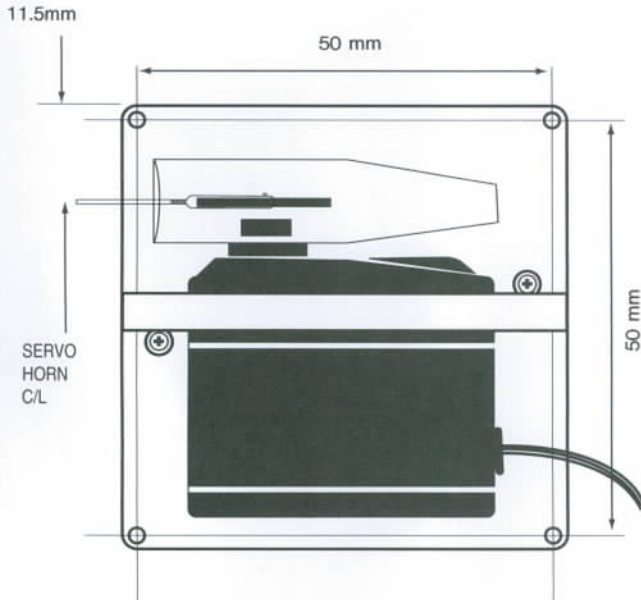
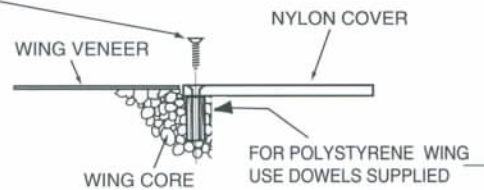


POZIDRIVE COUNTERSUNK
SELF TAP SCREWS
4 OFF No 2 x 3/8

OR

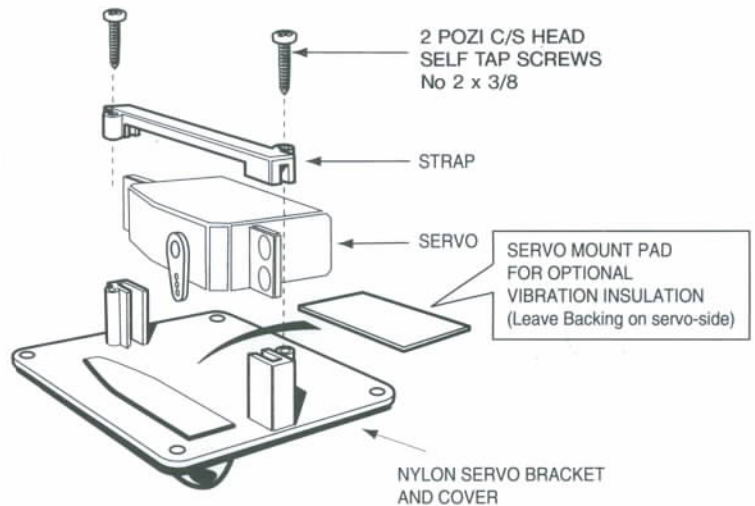


DRILL THROUGH 4 DOWELS AND MOUNT THESE ONTO THE COVER, TIGHTEN SCREWS, ADD ADHESIVE TO THE DOWELS AND DOWEL HOLES IN WING AND POSITION COMPLETE ASSEMBLY INTO WING FOAM, WHEN DRY RELEASE SCREWS, REMOVE COVER AND FIX SERVO WITH STRAP AND SCREWS SUPPLIED.



Note;
Some servos may require packing or trimming of the side flanges to fit the mounting slots.

Trim off interfering flange webs where necessary, then sand or using a medium coarse file, reduce flange thickness.



PARTS LIST

- 1 MOULDED COVERS AND STRAPS
- 12-No 2 x 3/8 POZI COUNTERSUNK SELF/TAP SCREWS

RADIO - ACTIVE MANUFACTURING