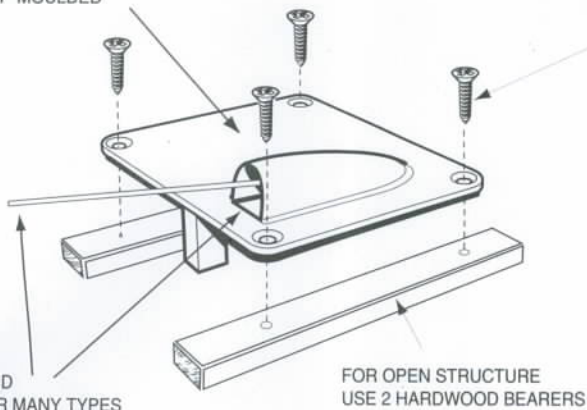


CA 200 WING SERVO MOUNT

FOR OPEN STRUCTURES AND FOAM CORE WINGS

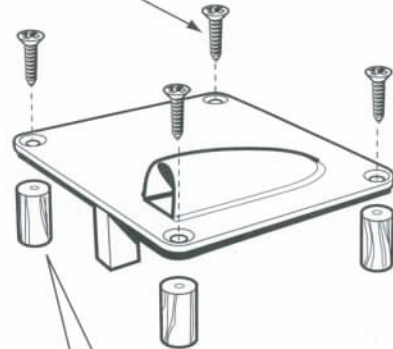
NYLON SERVO BRACKET
AND COVER
INTEGRALLY MOULDED



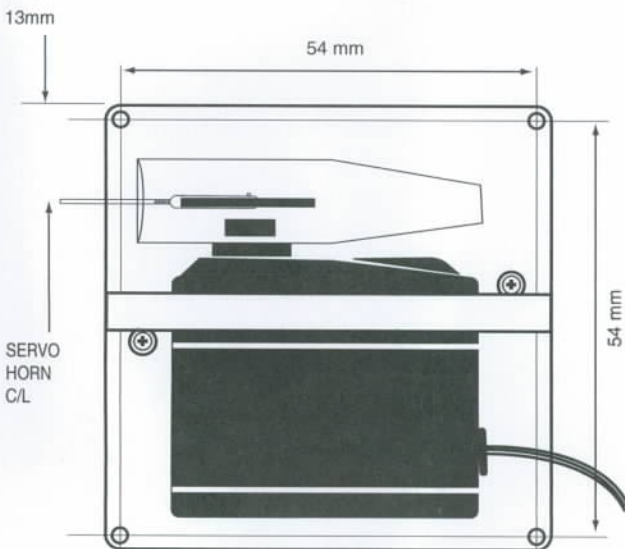
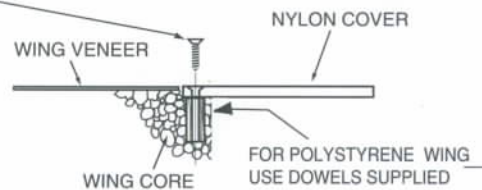
EXIT SHROUD
ALLOWS FOR MANY TYPES
OF AILERON FITTINGS TO BE USED

FOR OPEN STRUCTURE
USE 2 HARDWOOD BEARERS

POZIDRIVE COUNTERSUNK
SELF TAP SCREWS
4 OFF No 2 x 3/8



DRILL THROUGH 4 DOWELS AND MOUNT THESE ONTO
THE COVER, TIGHTEN SCREWS, ADD ADHESIVE
TO THE DOWELS AND DOWEL HOLES IN WING AND
POSITION COMPLETE ASSEMBLY INTO WING FOAM,
WHEN DRY RELEASE SCREWS, REMOVE COVER AND
FIX SERVO WITH STRAP AND SCREWS SUPPLIED.

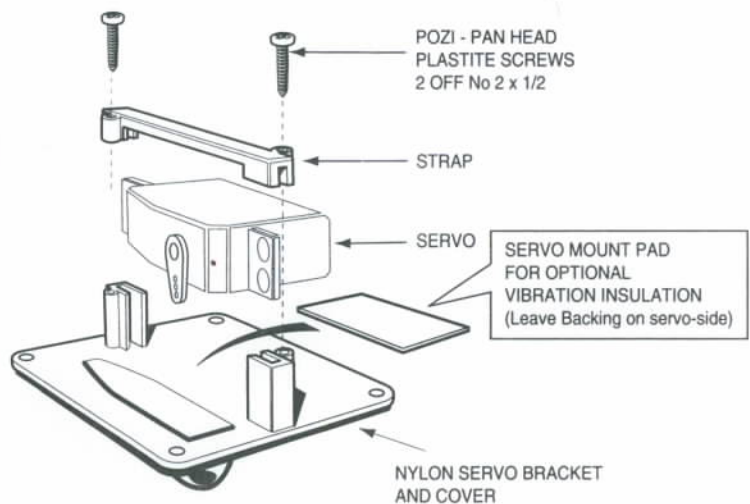


SERVO HORN
C/L

USE THIS TEMPLATE
FOR ACCURATE MARKING OUT
OF FIXING HOLES AND SERVO CUTOUT

Note;
Some servos may require packing
or trimming of the side flanges to fit
the mounting slots.

Trim off interfering flange webs
where necessary, then sand or using
a medium coarse file, reduce flange
thickness.



PARTS LIST

MOULDED COVERS AND STRAPS

4-No 2 x 1/2 POZI PAN HEAD PLASTITE SCREWS
8-No 2 x 3/8 POZI COUNTERSUNK SELF/TAP SCREWS

RADIO - ACTIVE MANUFACTURING